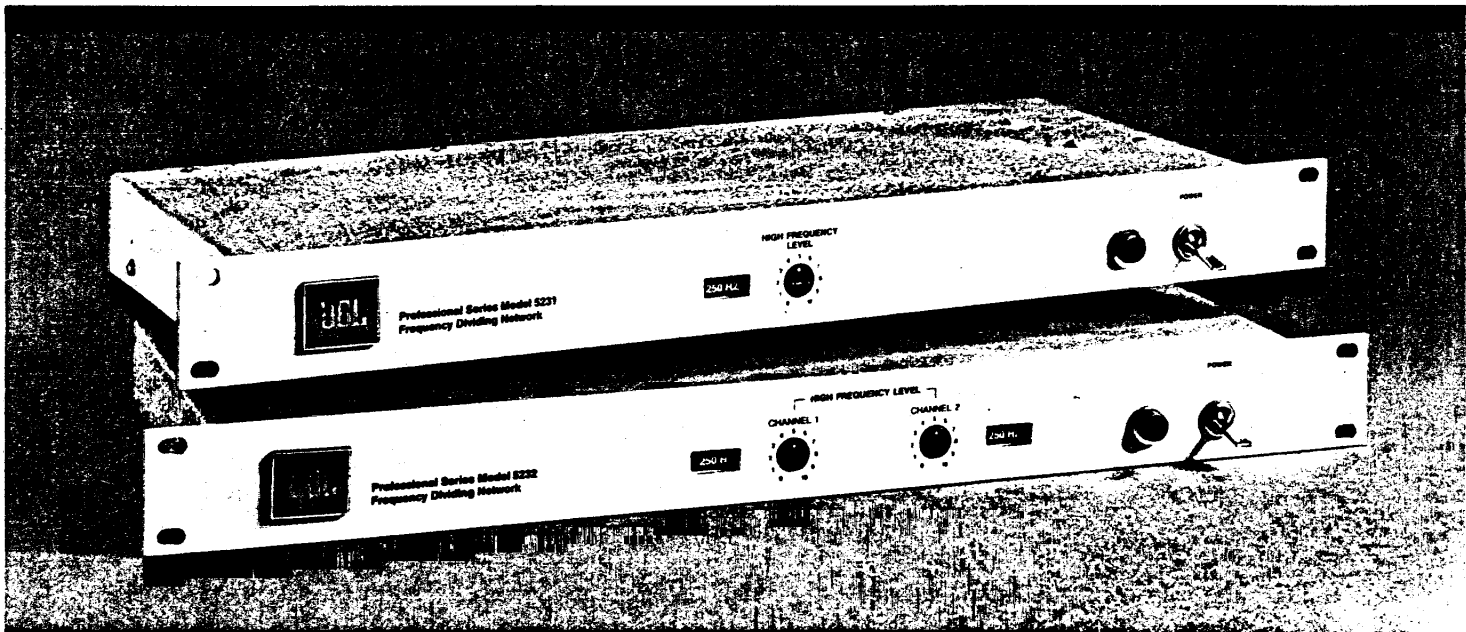


Professional Series Electronic Frequency Dividing Networks

5231 SINGLE CHANNEL

5232 DUAL CHANNEL



The 5231 and 5232 Electronic Frequency Dividing Networks are designed for use with studio monitor or sound reinforcement loudspeaker systems where bi-amplification or tri-amplification is desirable. The use of electronic frequency dividing networks and multiple amplifiers results in a cleaner signal being fed from the power source directly to the individual loudspeakers of the system. By dividing the audio spectrum before power amplification, treble tones are separated from, and unaffected by, bass frequencies. The result is more efficient utilization of available amplifier power. For example, a system consisting of 100-Watt low frequency and 50-Watt high frequency amplifiers will provide the same low distortion performance as would a single 300-Watt amplifier driving the loudspeaker system through a conventional passive frequency dividing network. Direct coupling to the loudspeakers eliminates the insertion loss typical of most passive networks and also permits realization of the maximum damping factor available from a given amplifier.

Model 5231, single channel, provides the electronic transition for one bi-amplified loudspeaker system. The 5232, a dual-channel unit, can be used for bi-amplification of two loud-

speaker systems or to control both transition points in a tri-amplified system. The latter can be accomplished by utilizing one channel for the lower crossover frequency and the other channel for the high frequency transition.

Performance and operational characteristics of the two models are identical; they are maximally flat second-order electronic crossover networks utilizing active filters. They exhibit unity gain in the pass band, provide adequate output to drive any quality amplifier and operate at extremely low distortion levels at full rated output. The crossover frequency is determined by inserting the proper printed circuit card into each channel's circuitry. Inserts are available for the following crossover frequencies: 250 Hz, 500 Hz, 800 Hz, 1200 Hz and 5 kHz. A blank card is also available for construction of circuitry to provide alternate crossover points. Each channel is provided with a level control for high frequency shelving.



Architectural Specifications

The sound system described herein shall be equipped with separate power amplifiers for low (midrange) and high frequency program material. A single (or dual) channel low-level active network shall be provided to filter program material at the designated crossover point(s) and direct the signal to the power amplifier designated for that particular band segment.

The active dividing network shall include an amplifier providing unity gain in the pass band at zero attenuation. Active or passive devices with less than unity gain shall be unacceptable.

Crossover frequency selection shall be accomplished by internally mounted, plug-in circuit module. The module shall be designated with the crossover frequency in such a position as to be easily read through a window in the front panel of the electronic frequency dividing network. The designated crossover frequency shall be the point at which the slopes of the two pass band curves cross and where each is 3 dB down from its averaged output levels. The point shall be within $\pm 10\%$ of the designated frequency. The filter slope shall be 12 dB per octave.

The frequency response of the crossover network shall be 20-20,000 Hz, $\pm 0.5\%$ equivalent bandwidth. Distortion shall be less than 0.5% THD, 20-20,000 Hz at +18 dB at rated output (2000 ohms) and less than 0.2% THD at +10 dB output. Signal-to-noise ratio shall be greater than 90 dB at rated output, 20-20,000 Hz. (Note—For model 5232 insert the following: Isolation between channels shall be greater than 60 dB.)

The front panel of the crossover network shall be provided with window(s) through which the crossover frequency printed on the insert module shall be visible, a power switch with an indicator light, and recessed high frequency attenuator control(s).

The electronic crossover network shall be JBL Model 5231 (5232). Other units will be considered for equivalency provided that submitted data from a recognized independent test laboratory verify that the above performance specifications are met.



Input and output terminals for the 5231 and 5232 are as shown. The dual channels of the 5232 can be utilized for tri-amplifications of a single loudspeaker system by connecting the high frequency output of one channel to the input terminals of the other channel.



Professional Series

Professional Division

James B. Lansing Sound, Inc., 3249 Casitas Avenue, Los Angeles, California 90039.

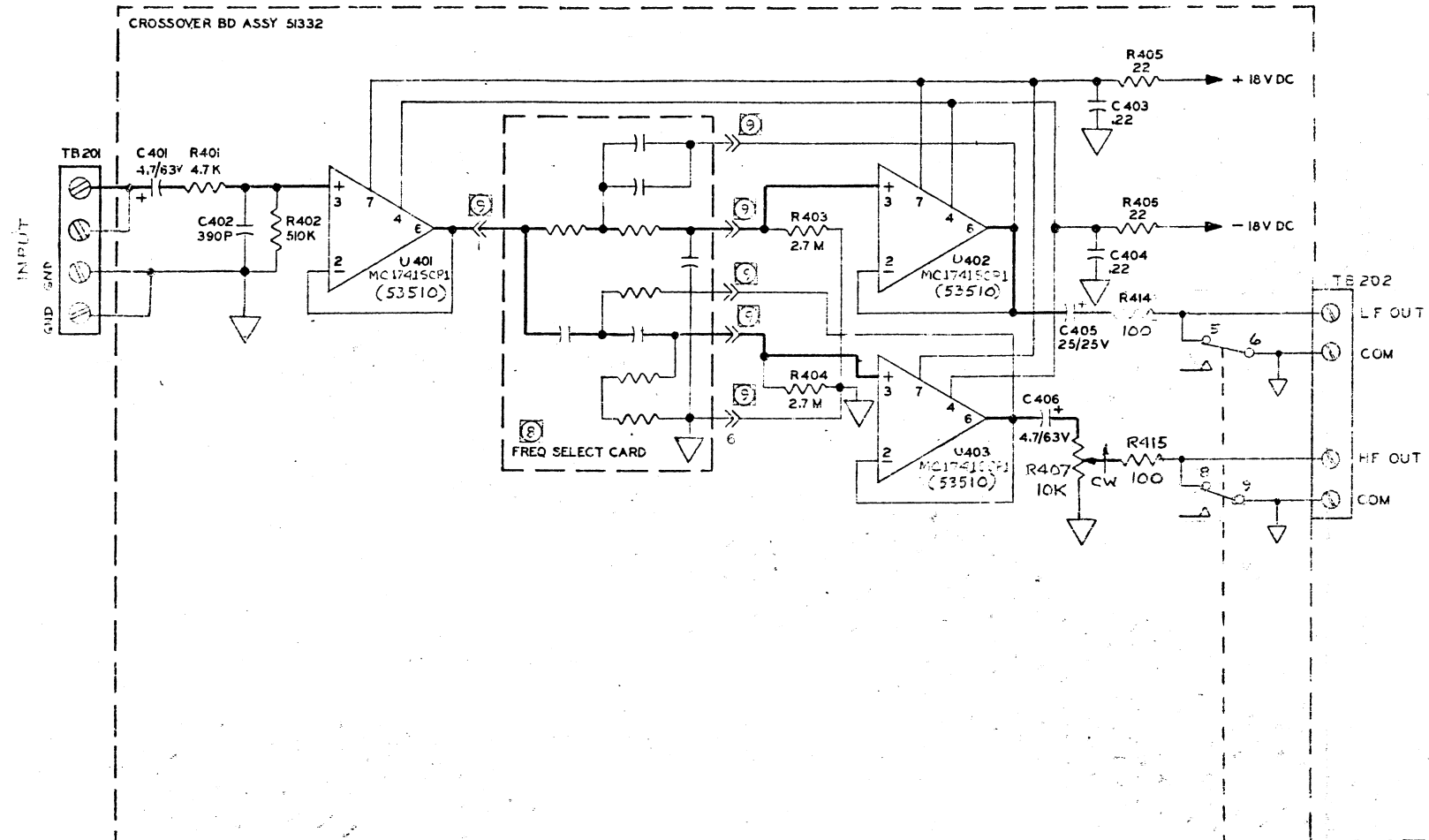
Specifications

Gain	0 dB in the pass band
Rated Output	6.2 volts (+18 dB), 2000 ohms
Distortion	Less than 0.5% THD, 20-20,000 Hz at rated output. Less than 0.2% THD, 20-20,000 Hz at +10 dB output
Frequency Response	± 0.5 dB, 20-20,000 Hz equivalent bandwidth
Crossover Frequency	Selectable by plug-in module, 3 dB crossover point $\pm 10\%$
Filter Slope	12 dB per octave
Input Impedance	Greater than 50,000 ohms
Load Impedance	2,000 ohms
Output Impedance	Low Less than 70 ohms High Less than 40 ohms with level control at maximum (full clockwise); typically 940 ohms with level control at 50% rotation (20 dB attenuation)
Channel Isolation	Greater than 60 dB
Signal/Noise Ratio	Greater than 90 dB, 20-20,000 Hz
Controls	One high frequency level per channel; one on/off switch
Power Requirement	5 Watts, 120 VAC, 50/60 Hz
Operating Temperature	Up to 55°C (132°F)
Dimensions	13/4" x 19" x 7 7/8" deep 4.4 x 48.3 x 19.4 cm deep
Mounting	1 EIA standard rack space
Panel Finish	Non-glare baked enamel, light gray
Net Weight	4 lbs. (1.8 kg) either unit with accessory crossover card(s) installed.
Shipping Weight	6.5 lbs. (3.0 kg) either unit
Warranty	Two years
Accessories	
Crossover Cards (one required per channel)	5120—Blank 5121—250 Hz 5122—500 Hz 5123—800 Hz 5124—1200 Hz 5125—5000 Hz

ALL DIMENSIONS AND SPECIFICATIONS ARE THE PROPERTY OF JBL & JARVIS SOUND INC. THE DESIGN IS TRADE CONFIDENTIAL AND SHALL NOT BE REPRODUCED, COPIED, OR USED IN ANY MANNER WITHOUT THE WRITTEN PERMISSION OF JBL & JARVIS SOUND INC.

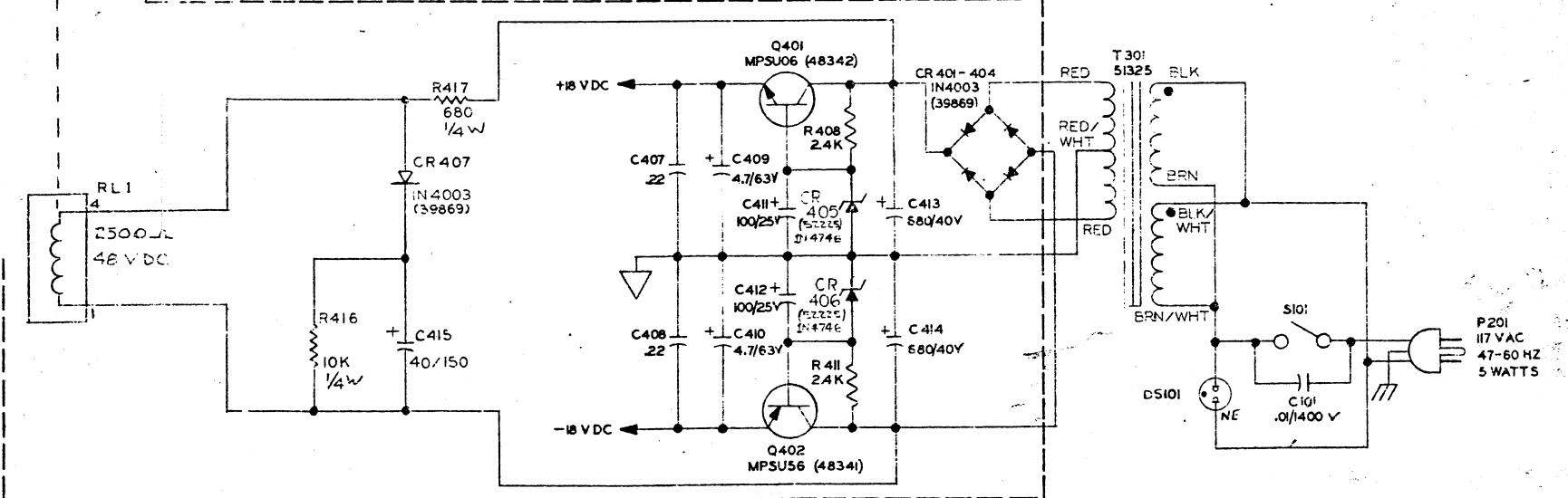
LAST REF DESIGNATION USED				
C101	C415	CR407	L403	D501
Q402	R417	S101	T301	TB202
P201	RL1			

ITEM	P/N	DESC	QTY
1	51328	FRONT PANEL ASSY	1
2	51330	CHASSIS ASSY	1
3	51332	CROSSOVER BD ASSY	1
4	51312	COVER	1
5	10997	SCREW 4-40 X 1/4	4
6	10239	TERMINAL STRIP	1
7	10039	SCREW 6-32 X 1/4	8
8	89508	HEX NUT 6-32	4
9	12268	LOCKWASHER #6	8
10	52192	KNOB MRD 52191	1
11	12875	CAUTION LABEL	1
12	12267	LOCKWASHER #4	4
13	51637	INSULATOR	1
14	51496	FOILCAL	1
15	51632	BRACKET	1
16	12875	CAUTION LABEL	1



RL1 WIRING

GROUND PINS	6, 9, 1
USE OUTPUT PINS	5, 8



DELETED
 CONNECTIONS SHOWN ARE TO OPTIONAL FREQ SELECT CARD
 SEE SCHEMATIC MFD 51604

7. IF A 2N FAMILY OR HOUSE NUMBERED DEVICE WILL WORK IN THE CIRCUIT WITHOUT SELECTION, THE NUMBER WILL APPEAR ON THE SCHEMATIC AS THE PRIMARY NUMBER AND THE JBL PART WILL APPEAR BELOW IN PARENTHESIS. IF THE DEVICE IS A SPECIAL SELECTION FROM A PARTICULAR FAMILY, THE JBL PART NUMBER WILL APPEAR FIRST WITH THE 2N OR HOUSE NUMBERED DEVICE IN PARENTHESIS.

6. COMPONENT REF DESIGNATION:
 100 SERIES, FRONT PANEL
 200 SERIES, BACK PANEL
 300 SERIES, CHASSIS
 400 SERIES AND UP, PC BOARDS.

5. FOR TEST SPECS SEE DWG 51334 REF.
 4. APPROVED ENG SAMPLE, CURRENT REVISION, MAINTAINED IN ELEC MFG DEPT.
 3. JBL RESERVES THE RIGHT TO MAKE MINOR COMPONENT CHANGES WITHOUT NOTICE.
 2. CAPACITORS IN UFD.
 1. RESISTORS IN OHMS, 1/2W, 5%.

NOTES, UNLESS SPECIFIED:

5231

<p>REVISIONS</p> <p>1. REVISED PER D.D.</p> <p>2. REVISED PER D.D.</p>		<p>DATE</p> <p>11/19/75</p>	
<p>DESIGNED BY</p> <p>11/19/75</p>		<p>CHECKED BY</p> <p>11/19/75</p>	
<p>APPROVED BY</p> <p>11/19/75</p>		<p>SCALE</p> <p>1</p>	
<p>DATE</p> <p>11/19/75</p>		<p>WEIGHT</p> <p>1</p>	
<p>DESIGN</p> <p>11/19/75</p>		<p>SHEET</p> <p>1 OF 1</p>	

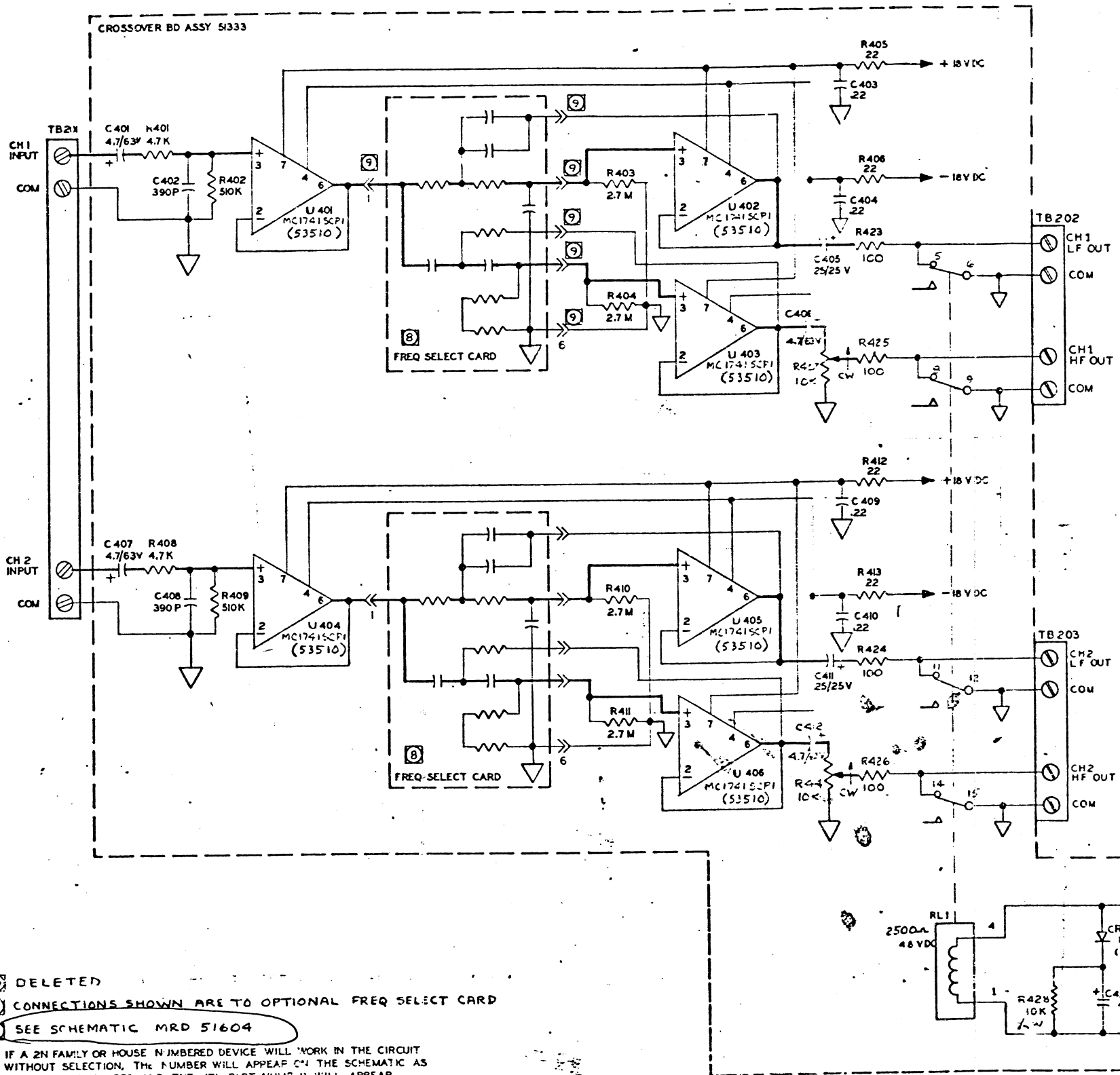
MFD ITEM, 5231

D MFD ITEM 51326

THESE DRAWINGS AND SPECIFICATIONS ARE THE PROPERTY OF JAMES B. LANSING SOUND INC. THEY ARE ISSUED IN STRICT CONFIDENCE AND SHALL NOT BE REPRODUCED, COPIED, OR USED AS THE BASIS FOR MANUFACTURE OR SALE OF APPARATUS WITHOUT PERMISSION.

LAST REF DESIGNATION USED				
C101	C421	CR407	U406	DS101
Q402	R42E	S101	T301	TB203
P201	RL1			

ITEM	P/N	DESC
1	51329	FRONT PANEL ASSY
2	51331	CHASSIS ASSY
3	51333	CROSSOVER BD ASSY
4	51312	COVER
5	10997	SCREW 4-40 X 1/4
6	10239	TERMINAL STRIP
7	10039	SCREW 6-32 X 1/4
8	89508	HEX NUT 6-32
9	12008	LOCKWASHER #6
10	52192	KNOB MRD 52191
11	12875	CAUTION LABEL
12	12267	LOCKWASHER #4
13	51637	INSULATOR
14	51497	FOILCAL
15	51632	BRACKET
16	12875	CAUTION LABEL



RL1 WIRING

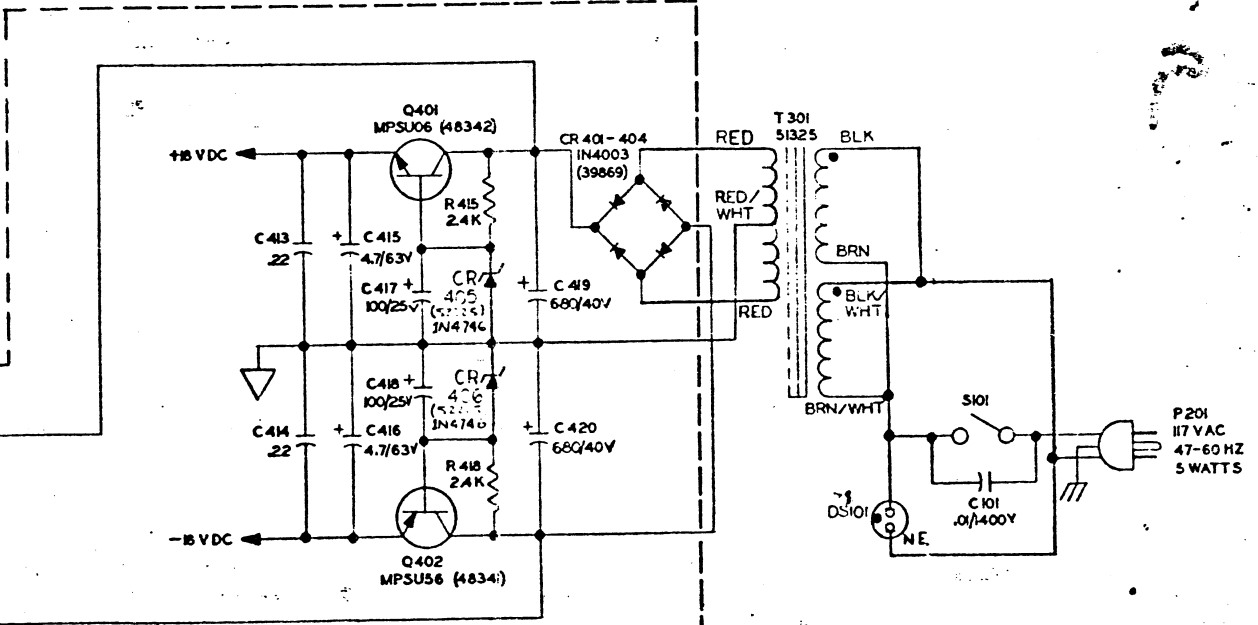
GROUND PINS	6, 9, 12, 15
USE OUTPUT PINS	5, 8, 11, 14

- ⑩ DELETED
- ⑨ CONNECTIONS SHOWN ARE TO OPTIONAL FREQ SELECT CARD
- ⑧ SEE SCHEMATIC MRD 51604

7. IF A 2N FAMILY OR HOUSE NUMBERED DEVICE WILL WORK IN THE CIRCUIT WITHOUT SELECTION, THE NUMBER WILL APPEAR ON THE SCHEMATIC AS THE PRIMARY NUMBER AND THE JBL PART NUMBER WILL APPEAR BELOW IN PARENTHESES. IF THE DEVICE IS A SPECIAL SELECTION FROM A PARTICULAR FAMILY, THE JBL PART NUMBER WILL APPEAR FIRST WITH THE 2N OR HOUSE NUMBERED DEVICE IN PARENTHESES.

6. COMPONENT REF DESIGNATION:
 100 SERIES, FRONT PANEL
 200 SERIES, BACK PANEL
 300 SERIES, CHASSIS
 400 SERIES AND UP, P.C. BOARDS.

5. FOR TEST SPECS SEE DWG 51334 REF.
 4. APPROVED ENG SAMPLE, CURRENT REVISION, MAINTAINED IN ELEC MFG DEPT.
 3. JBL RESERVES THE RIGHT TO MAKE MINOR COMPONENT CHANGES WITHOUT NOTICE.



ALL COPY
 5232

REV	DESCRIPTION	DATE	BY	CHKD
1	REVISED			
2	REVISED			
3	REVISED			
4	REVISED			
5	REVISED			
6	REVISED			
7	REVISED			
8	REVISED			
9	REVISED			
10	REVISED			

MFD ITEM, 5232